



Italia

Drop arm awnings

NC and C models

A lightweight but durable drop arm residential awning.

A drop arm system suitable for residential or commercial applications up to 5m wide and 1.8m arm length. Arms can be wound below 90° to afford maximum sun shading.



Italia NC and C Models, Drop arm awnings

The Italia drop arm system is ideal for installations where the strength of the fixing surface is insufficient to bear the weight of a lateral arm awning, as the load is distributed between the arm brackets and the installation brackets.

All the aluminium profiles are powder coated in white (RAL 9010) and the arms are spring loaded at their base. The Italia C has the benefit of a full cassette box into which the cover retracts when the awning is not in use. Whilst the Italia NC does not have a cassette box, it can be fitted with an optional UPVC top profile if required.

Both systems can be face or top fixed with the standard brackets supplied and have a maximum width of 5m with a maximum arm length of 1.8m.

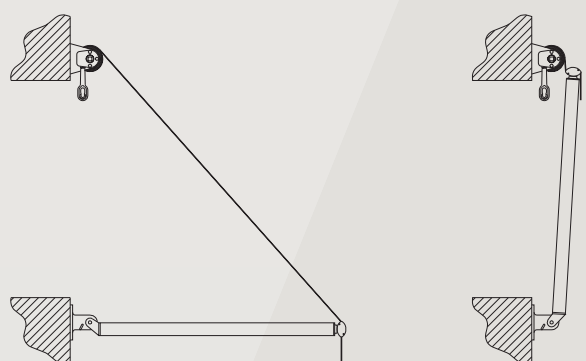
Wind resistance (at maximum dimensions)

Class tested by TÜV according to EN 13561:2004	3
Nominal test pressure p (N/m ²)	110

Overall dimensions and weight (1 pair of arms)

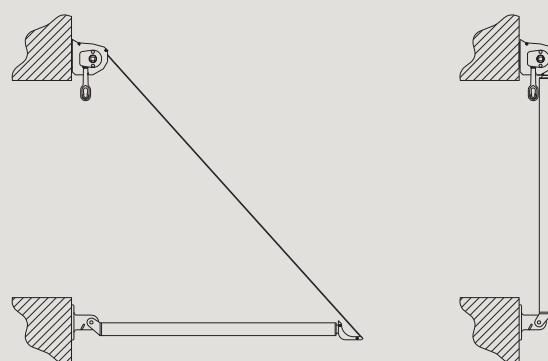
Width (cm)	500
Height (cm)	300
Projection (awning open) (cm)	180
Approx. weight (kg)	42 - 50

Italia NC - (non cassette)

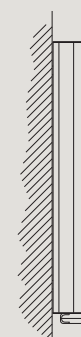
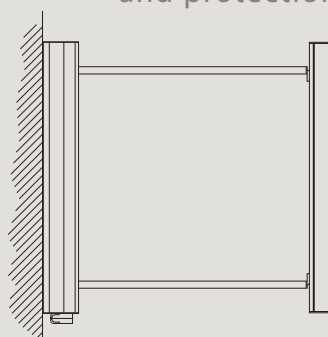
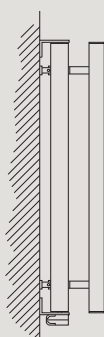
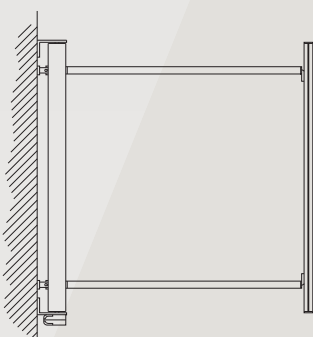


Installation with reduction winch

Italia C - (full cassette)



Installation with reduction winch and protection box



Different solutions for Installation and use